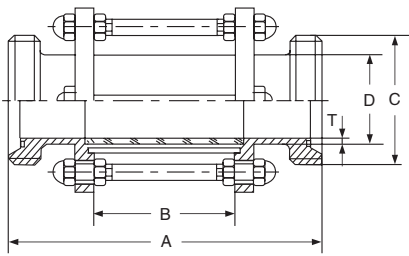


- ◆ Stainless Steel Sanitary Pipe Fitting
- ◆ Valve、Pump、Fluid Facility
- ◆ 不锈钢卫生级管件、阀门、泵、流体设备

### 螺纹式直通视镜 Threaded straight sight glass

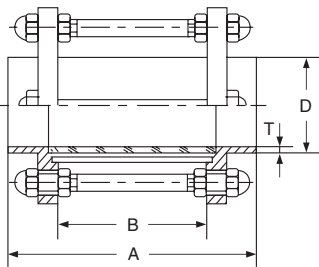
DIN | SSGS01



Size	DxT	A	B	C		
DN25	28x1.5	135	75	RD52x1/6"		
DN32	34x1.5	135	75	RD58x1/6"		
DN40	40x1.5	145	85	RD65x1/6"		
DN50	52x1.5	149	85	RD78x1/6"		
DN65	70x2.0	151	85	RD95x1/6"		
DN80	85x2.0	163	85	RD110x1/4"		
DN100	104x2.0	178	100	RD130x1/4"		
DN125	129x2.0	220	120	RD160x1/4"		

### 直通焊接式视镜 Welded straight sight glass

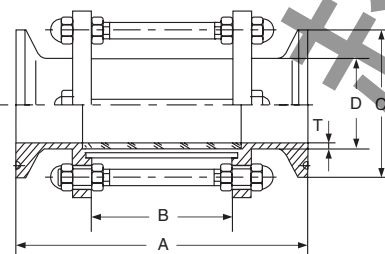
DIN | SSGS02



Size	DxT	A	B			
DN25	28x1.5	110	75			
DN32	34x1.5	110	75			
DN40	40x1.5	127	85			
DN50	52x1.5	129	85			
DN65	70x2.0	129	85			
DN80	85x2.0	143	85			
DN100	104x2.0	154	100			
DN125	129x2.0	186	120			

### 卡箍式直通视镜 Clamped straight sight glass

DIN | SSGS03



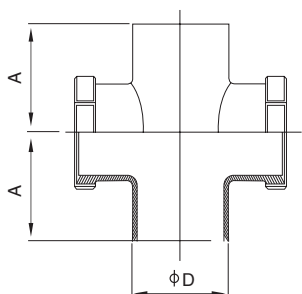
Size	DxT	A	B	C		
DN25	28x1.5	153	75	50.5		
DN32	34x1.5	153	75	50.5		
DN40	40x1.5	170	85	50.5		
DN50	52x1.5	172	85	64.0		
DN65	70x2.0	185	85	91.0		
DN80	85x2.0	199	85	106.0		
DN100	104x2.0	210	100	119.0		
DN125	129x2.0	242	120	155.0		



- ◆ Stainless Steel Sanitary Pipe Fitting
- ◆ Valve、Pump、Fluid Facility
- ◆ 不锈钢卫生级管件、阀门、泵、流体设备

四通视镜 Cross sight glass

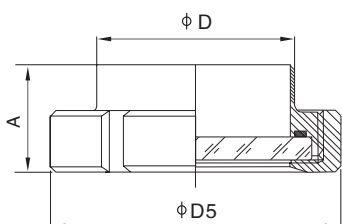
DIN SSGS04



Size	A	D				
DN25	50	28				
DN32	55	34				
DN40	60	40				
DN50	70	52				
DN65	80	70				
DN80	90	85				
DN100	100	104				

活接视镜 Union-type sight glass

DIN SSGS05



Size	DIN11851			DIN11850			
	A	D	D5	A	D		
DN25	35	31	62	28	28		
DN32	38	37	68	28	34		
DN40	40	43	78	28	40		
DN50	42	55	92	28	52		
DN65	47	72	110	30	70		
DN80	52	87	126	33	85		
DN100	62	106	146	38	104		
DN125	52	132	178	40	129		
DN150	66	157	208	42	154		

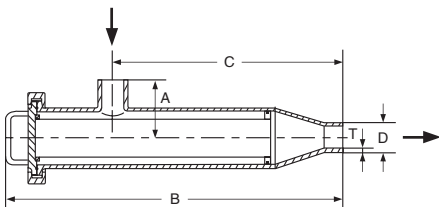


- ◆ Stainless Steel Sanitary Pipe Fitting
- ◆ Valve、Pump、Fluid Facility
- ◆ 不锈钢卫生级管件、阀门、泵、流体设备

SANITARY STRAINER  
卫生级过滤器

### 焊接角式过滤器 Welded angle-type strainer

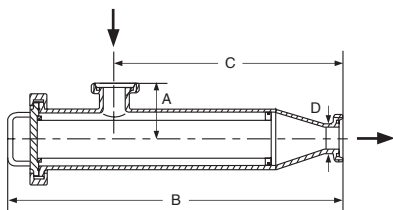
DIN | SSS01



Size	DxT	A	B	C		
DN25	28x1.5	60	539	391		
DN32	34x1.5	65	530	382		
DN40	40x1.5	70	521	373		
DN50	52x1.5	85	566	394		
DN65	70x2.0	85	540	368		
DN80	85x2.0	95	747	543		
DN100	104x2.0	105	720	516		

### 螺纹角式过滤器 Threaded angle-type strainer

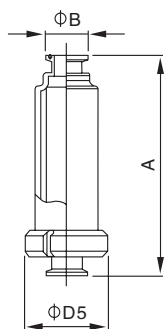
DIN | SSS02



Size	DxT	A	B	C		
DN25	28x1.5	80	561	413		
DN32	34x1.5	80	552	404		
DN40	40x1.5	85	543	395		
DN50	52x1.5	95	589	417		
DN65	70x2.0	100	565	393		
DN80	85x2.0	120	777	573		
DN100	104x2.0	135	750	546		

### 焊接式直通过滤器 Welded straight strainer

DIN | SSS03



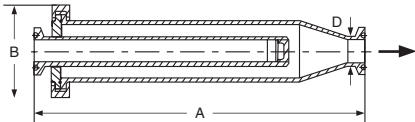
Size	A	B	D5			
DN25	306	28	95			
DN32	306	34	110			
DN40	306	40	110			
DN50	406	52	110			
DN65	503	70	127			
DN80	561	85	148			
DN100	662	104	178			



- ◆ Stainless Steel Sanitary Pipe Fitting
- ◆ Valve、Pump、Fluid Facility
- ◆ 不锈钢卫生级管件、阀门、泵、流体设备

卡箍式直通过滤器 Clamped straight strainer

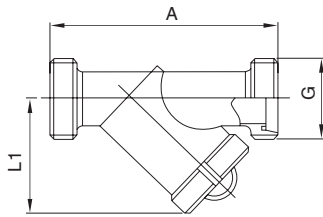
DIN | SSS04



Size	DxT	A	B		
DN25	28x1.5	200	93.0		
DN32	34x1.5	285	106.5		
DN40	40x1.5	285	106.5		
DN50	52x1.5	350	106.5		
DN65	70x2.0	450	136.0		
DN80	85x2.0	500	200.0		
DN100	104x2.0	600	200.0		

螺纹式Y型过滤器 Threaded Y-type strainer

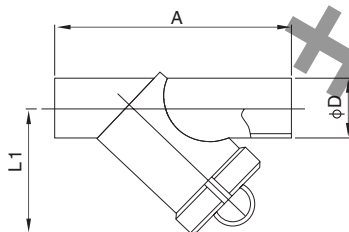
DIN | SSS05



Size	A	L1	G		
DN25	125	95	RD52x1/6		
DN32	140	104	RD58x1/6		
DN40	165	110	RD65x1/6		
DN50	195	140	RD78x1/6		
DN65	230	185	RD95x1/6		
DN80	280	220	RD110x1/4		
DN100	340	248	RD130x1/4		

焊接式Y型过滤器 Welded Y-type strainer

DIN | SSS06



Size	A	L1	D		
DN25	125	28	95		
DN32	140	34	104		
DN40	165	40	110		
DN50	195	52	140		
DN65	230	70	185		
DN80	280	85	220		
DN100	340	104	248		

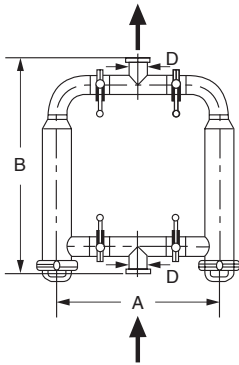


- ◆ Stainless Steel Sanitary Pipe Fitting
- ◆ Valve、Pump、Fluid Facility
- ◆ 不锈钢卫生级管件、阀门、泵、流体设备

SANITARY STRAINER  
卫生级过滤器

### 螺式双联过滤器 Male Strainer Combination

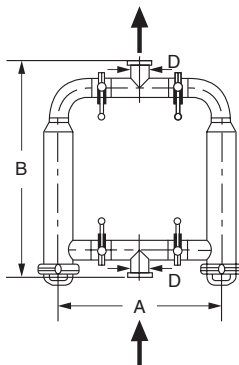
DIN SSS07



Size	DxT	A	B			
DN25	28x1.5	305	570			
DN32	34x1.5	320	525			
DN40	40x1.5	365	600			
DN50	52x1.5	420	590			
DN65	70x2.0	455	650			
DN80	85x2.0	555	710			
DN100	104x2.0	560	775			

### 卡式双联过滤器 Ferrule Strainer Combination

DIN SSS08

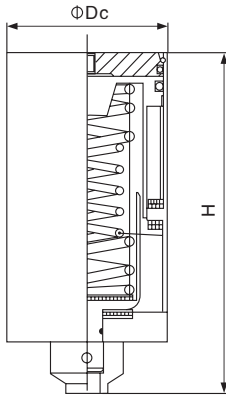


Size	DxT	A	B			
DN25	28x1.5	305	570			
DN32	34x1.5	320	525			
DN40	40x1.5	365	600			
DN50	52x1.5	420	590			
DN65	70x2.0	455	650			
DN80	85x2.0	555	710			
DN100	104x2.0	560	775			



- ◆ Stainless Steel Sanitary Pipe Fitting
- ◆ Valve、Pump、Fluid Facility
- ◆ 不锈钢卫生级管件、阀门、泵、流体设备

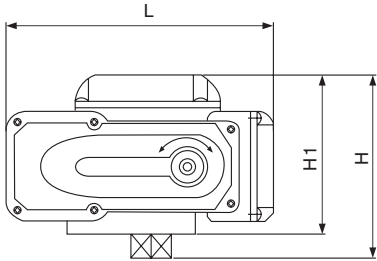
不锈钢气动执行器 | No.01  
Stainless steel pneumatic actuator



Size	Dc	H	可配蝶阀 match with butterfly valve		可配球阀 match with ball valve	
Φ85	85.0	180.5	DN20-DN100	1"-4"	DN20-DN50	1"-2"
Φ133	133.0	298.0	DN125-DN200	5"-8"	DN65-DN80	2.5"-3"

- ★气动装置有三种标准:常开 常闭 气/气
- ★控制设备:可装配信号反馈装置、电磁阀等,通过这些附件可与自动化系统远程控制系统等相连接
- ★Three types of pneumatic device: normally opened, opened and closed by two air flues separately.
- ★Control set: Can match with feedback device、solenoid valve etc., Which help to connet with the automatic system and remote control system.

电动执行器 | No.02  
Electric actuator



Size	L	H	H1	可配蝶阀 match with butterfly valve		可配球阀 match with ball valve	
HL-05	157.5	115.0	103.0	DN20-DN100	1"-4"	DN20-DN50	1"-2"
HL-10	208.0	124.0	115.0	DN125-DN200	5"-8"	DN65-DN80	2.5"-3"
HL-20	280.0	135.0	109.0			DN100	4"

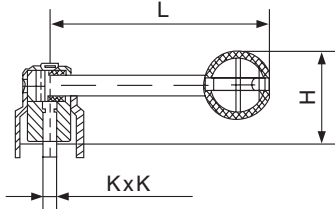
- ★电动装置:开关到位灯,无源接触点信号,机内智能控制,1K 5K电位计
- ★Electric device: on-off indicator light, passive contact signal, intelligent control, 1K,5K potentiometer.



◆ Stainless Steel Sanitary Pipe Fitting  
◆ Valve、Pump、Fluid Facility  
◆ 不锈钢卫生级管件、阀门、泵、流体设备

四方压盖拉杆手柄 | BVH01  
Square Pulling handle

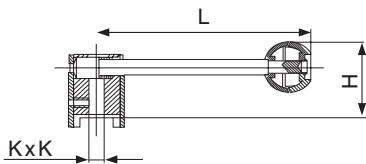
★调节方式:2个定位、3个定位、4个定位;  
★Adjustment: two positions, three positions, four positions



K x K	H	L	可配蝶阀 match with butterfly valve			
8.20x8.20	46.0	125.0	1/2"-2"	DN15-DN50		
10.0x10.0	50.0	145.0	2 1/2"-3"	DN65		
10.0x10.0	54.0	165.0	3 1/2"-4"	DN65		
12.0x12.0	63.0	180.0	5"	DN80-DN100		
12.0x12.0	63.0	200.0	6"-8"	DN200		

圆压盖拉杆手柄 | BVH02  
Circular Pulling handle

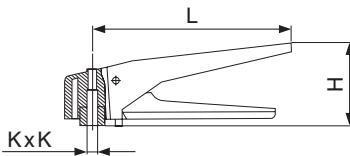
★调节方式:2个定位、3个定位、4个定位; ★Adjustment: two positions, three positions, four positions  
★该手柄可装配所有蝶阀、蝶式球阀。★The handle can match with all butterfly valves and butterfly-type ball valves



K x K	H	L	可配蝶阀 match with butterfly valve		可配蝶式球阀 match with butterfly-type ball valve	
8.20x8.20	41.0	120.0	1/2"-1"	DN15-DN50	1/2"-1"	DN15-DN25
10.0x10.0	44.0	150.0	1 1/2"	DN65-DN80	1 1/4"-2"	DN32-DN50
10.0x10.0	44.0	170.0	4"	DN100		

多位塑料手柄 | BVH03  
Multi-position plastic handle

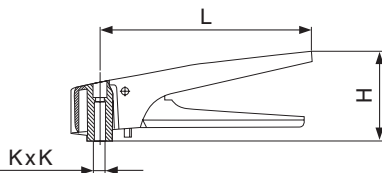
★调节方式:可通过15 位置调节开启大小; ★该手柄可装配所有蝶阀; ★规格: DN20-100, 1"-4"  
★Adjustment: adjust open distance with 15 position. ★The handle can assemble all of butterfly valves ★Size: DN20-100, 1"-4"



K x K	H	L	可配蝶阀 match with butterfly valve		可配蝶式球阀 match with butterfly-type ball valve	
8.20x8.20	42.0	132.0	1/2"-2"	DN15-DN50		
10.0x10.0	46.0	155.0	2 1/2"-4"	DN65-DN100		

多位不锈钢手柄 | BVH04  
Multi-position stainless steel handle

★调节方式:可通过15 位置调节开启大小; ★该手柄可装配蝶阀、蝶式球阀; ★规格: DN20-150, 1"-6"  
★Adjustment: Can adjust the open scope by each 15 position. ★The handle can match with all butterfly valves and butterfly-type ball valves. ★Size: DN20-150, 1"-6"



K x K	H	L	可配蝶阀 match with butterfly valve		可配蝶式球阀 match with butterfly-type ball valve	
8.20x8.20	55.0	155.0	1/2"-2"	DN15-DN50	1/2"-1"	DN15-DN25
10.0x10.0	55.0	155.0	2 1/2"-4"	DN65-DN100	1 1/4"-2"	DN32-DN50
12.0x12.0	55.0	155.0	5"-6"	DN125-DN150		

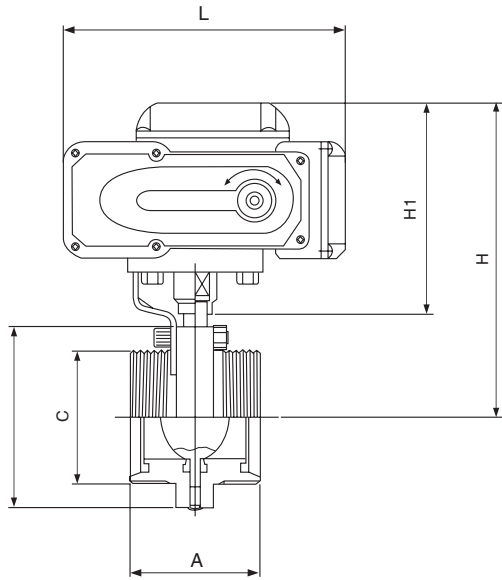


- ◆ Stainless Steel Sanitary Pipe Fitting
- ◆ Valve、Pump、Fluid Facility
- ◆ 不锈钢卫生级管件、阀门、泵、流体设备

SANITARY VALVE 卫生级阀门

### 电动蝶阀 Electric butterfly valve

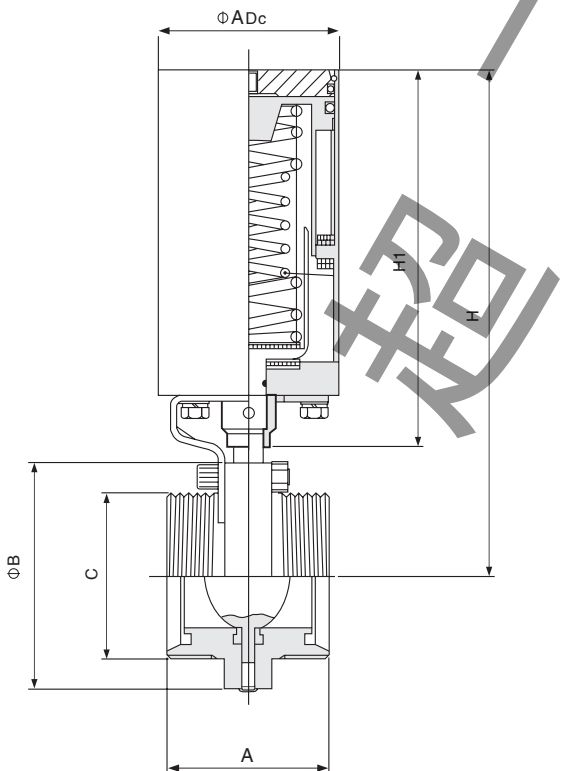
DIN | SBV01



Size	A	B	C	L	H	H1
DN15	66.0	78.0	34x1/8	157.5	170.0	131.0
DN20	66.0	78.0	44x1/6	157.5	170.0	131.0
DN25	66.0	78.0	52x1/6	157.5	170.0	131.0
DN32	70.0	82.0	58x1/6	157.5	172.0	131.0
DN40	74.0	88.0	65x1/6	157.5	175.0	131.0
DN50	76.0	110.0	78x1/6	157.5	186.0	131.0
DN65	84.0	127.0	95x1/6	208.0	208.5	145.0
DN80	90.0	140.0	110x1/4	208.0	215.0	145.0
DN100	108.0	160.0	130x1/4	208.0	225.0	145.0
DN125	130.0	190.0	160x1/4	208.0	240.0	145.0
DN150	150.0	225.0	190x1/4	208.0	257.5	145.0

### 气动蝶阀 Pneumatic butterfly valve

DIN | SBV02



Size	A	B	C	D	H	H1
DN15	66.0	78.0	34x1/8	85.0	222.5	180.5
DN20	66.0	78.0	44x1/6	85.0	222.5	180.5
DN25	66.0	78.0	52x1/6	85.0	222.5	180.5
DN32	70.0	82.0	58x1/6	85.0	224.5	180.5
DN40	74.0	88.0	65x1/6	85.0	227.5	180.5
DN50	76.0	110.0	78x1/6	85.0	238.5	180.5
DN65	84.0	127.0	95x1/6	85.0	247.0	180.5
DN80	90.0	140.0	110x1/4	85.0	253.5	180.5
DN100	108.0	160.0	130x1/4	85.0	263.5	180.5
DN125	130.0	190.0	160x1/4	133.0	418.0	298.0
DN150	150.0	225.0	190x1/4	133.0	435.5	298.0

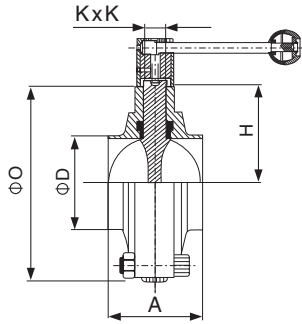




- ◆ Stainless Steel Sanitary Pipe Fitting
- ◆ Valve、Pump、Fluid Facility
- ◆ 不锈钢卫生级管件、阀门、泵、流体设备

焊接式蝶阀 Welded butterfly valve

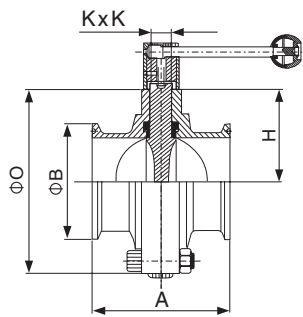
DIN | SBV03



Size	O	D	K x K	A	H
DN15	78.0	18.0	8.2x8.2	50.0	39.0
DN20	78.0	22.0	8.2x8.2	50.0	39.0
DN25	78.0	28.0	8.2x8.2	50.0	39.0
DN32	82.0	34.0	8.2x8.2	50.0	41.0
DN40	88.0	40.0	8.2x8.2	50.0	44.0
DN50	110.0	52.0	8.2x8.2	52.0	55.0
DN65	127.0	70.0	10.0x10.0	58.0	63.5
DN80	140.0	85.0	10.0x10.0	64.0	70.0
DN100	160.0	104.0	10.0x10.0	66.0	80.0
DN125	190.0	129.0	12.0x12.0	74.0	95.0
DN150	225.0	154.0	12.0x12.0	80.0	112.5

卡箍式蝶阀 Clamped butterfly valve

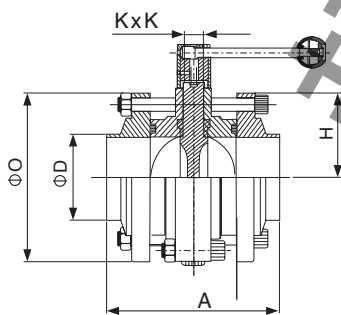
DIN | SBV04



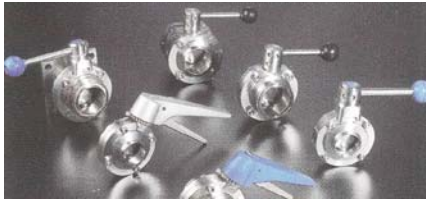
Size	O	B	K x K	A	H
DN15	78.0	34.0	8.2x8.2	68.0	39.0
DN20	78.0	34.0	8.2x8.2	68.0	39.0
DN25	78.0	50.5	8.2x8.2	68.0	39.0
DN32	80.0	50.5	8.2x8.2	72.0	41.0
DN40	80.0	50.5	8.2x8.2	72.0	44.0
DN50	100.0	64.0	8.2x8.2	74.0	55.0
DN65	117.0	91.0	10.0x10.0	80.0	63.5
DN80	140.0	106.0	10.0x10.0	86.0	70.0
DN100	160.0	119.0	10.0x10.0	90.0	80.0
DN125	190.0	145.0	12.0x12.0	114.0	95.0
DN150	225.0	167.0	12.0x12.0	120.0	112.5

三片式蝶阀 Three-piece butterfly valve

DIN | SBV05



Size	O	D	K x K	A	H
DN15	78.0	18.0	8.2x8.2	100.0	39.0
DN20	78.0	22.0	8.2x8.2	100.0	39.0
DN25	78.0	28.0	8.2x8.2	100.0	39.0
DN32	82.0	34.0	8.2x8.2	100.0	41.0
DN40	88.0	40.0	8.2x8.2	100.0	44.0
DN50	110.0	52.0	8.2x8.2	100.0	55.0
DN65	127.0	70.0	10.0x10.0	100.0	63.5
DN80	140.0	85.0	10.0x10.0	100.0	70.0
DN100	160.0	104.0	10.0x10.0	108.0	80.0
DN125	190.0	129.0	12.0x12.0	130.0	95.0
DN150	225.0	154.0	12.0x12.0	140.0	112.5

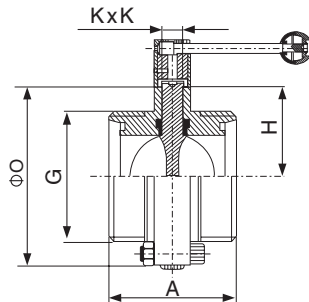


- ◆ Stainless Steel Sanitary Pipe Fitting
- ◆ Valve、Pump、Fluid Facility
- ◆ 不锈钢卫生级管件、阀门、泵、流体设备

卫生级阀门  
SANITARY VALVE

螺纹式蝶阀 Threaded butterfly valve

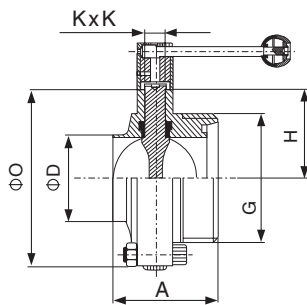
DIN | SBV06



Size	O	G	K x K	A	H
DN15	78.0	RD34x1/8	8.2x8.2	68.0	39.0
DN20	78.0	RD44x1/6	8.2x8.2	68.0	39.0
DN25	78.0	RD52x1/6	8.2x8.2	68.0	39.0
DN32	82.0	RD58x1/6	8.2x8.2	68.0	41.0
DN40	88.0	RD65x1/6	8.2x8.2	70.0	44.0
DN50	110.0	RD78x1/6	8.2x8.2	80.0	55.0
DN65	127.0	RD95x1/6	10.0x10.0	80.0	63.5
DN80	140.0	RD110x1/4	10.0x10.0	86.0	70.0
DN100	160.0	RD130x1/4	10.0x10.0	88.0	80.0
DN125	190.0	RD160x1/4	12.0x12.0	90.0	95.0
DN150	225.0	RD190x1/4	12.0x12.0	90.0	112.5

单焊单螺蝶阀 Welded/ Threaded butterfly valve

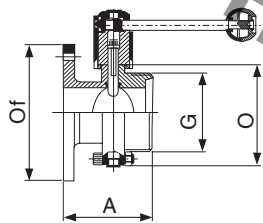
DIN | SBV07



Size	O	D	G	K x K	A	H
DN15	78.0	18.0	RD34x1/8	8.2x8.2	59.0	39.0
DN20	78.0	22.0	RD44x1/6	8.2x8.2	59.0	39.0
DN25	78.0	28.0	RD52x1/6	8.2x8.2	59.0	39.0
DN32	82.0	34.0	RD58x1/6	8.2x8.2	59.0	41.0
DN40	88.0	40.0	RD65x1/6	8.2x8.2	60.0	44.0
DN50	110.0	52.0	RD78x1/6	8.2x8.2	66.0	55.0
DN65	127.0	70.0	RD95x1/6	10.0x10.0	69.0	63.5
DN80	140.0	85.0	RD110x1/4	10.0x10.0	75.0	70.0
DN100	160.0	104.0	RD130x1/4	10.0x10.0	77.0	80.0
DN125	190.0	129.0	RD160x1/4	12.0x12.0	82.0	95.0
DN150	225.0	154.0	RD190x1/4	12.0x12.0	85.0	112.5

单四方单螺纹蝶阀 Square-flanged/ threaded butterfly valve

DIN | SBV08



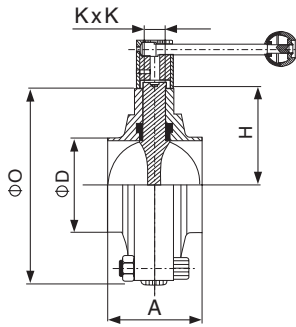
Size	O	G	Of	A
DN15	78.0	RD34x1/8	100x100	84.0
DN20	78.0	RD44x1/6	100x100	84.0
DN25	78.0	RD52x1/6	100x100	84.0
DN32	82.0	RD58x1/6	100x100	84.0
DN40	88.0	RD65x1/6	100x100	85.0
DN50	110.0	RD78x1/6	100x100	90.0



- ◆ Stainless Steel Sanitary Pipe Fitting
- ◆ Valve、Pump、Fluid Facility
- ◆ 不锈钢卫生级管件、阀门、泵、流体设备

焊接式蝶阀 Welded butterfly valve

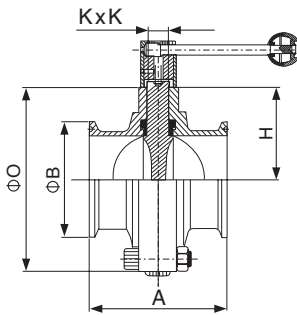
SMS | SBV09



Size	O	D	K x K	A	H
19	78.0	19.0	8.2x8.2	50.0	39.0
25	78.0	25.4	8.2x8.2	50.0	39.0
32	80.0	31.8	8.2x8.2	50.0	40.0
38	80.0	38.1	8.2x8.2	50.0	40.0
51	100.0	50.8	8.2x8.2	50.0	50.0
63	117.0	63.5	10.0x10.0	56.0	57.0
76	129.0	76.2	10.0x10.0	60.0	64.5
89	140.0	88.9	10.0x10.0	62.0	70.0
102	160.0	101.6	10.0x10.0	66.0	80.0

快装式蝶阀 Clamed butterfly valve

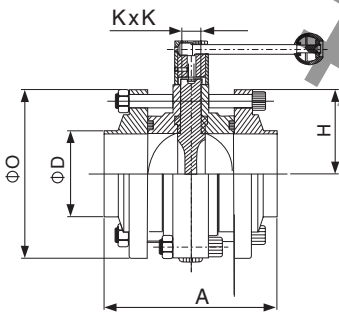
SMS | SBV10



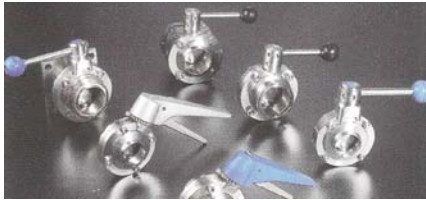
Size	O	B	K x K	A	H
19	78.0	50.5	8.2x8.2	68.0	39.0
25	78.0	50.5	8.2x8.2	68.0	39.0
32	80.0	50.5	8.2x8.2	72.0	40.0
38	80.0	50.5	8.2x8.2	72.0	40.0
51	100.0	64.0	8.2x8.2	74.0	50.0
63	117.0	77.5	10.0x10.0	80.0	57.0
76	129.0	91.0	10.0x10.0	80.0	64.5
89	140.0	106.0	10.0x10.0	86.0	70.0
102	160.0	119.0	10.0x10.0	90.0	80.0

三片式蝶阀 Three-piece butterfly valve

SMS | SBV11



Size	O	D	K x K	A	H
19	78.0	19.1	8.2x8.2	100.0	39.0
25	78.0	25.2	8.2x8.2	100.0	39.0
32	80.0	31.8	8.2x8.2	100.0	40.0
38	80.0	38.1	8.2x8.2	100.0	40.0
51	100.0	50.8	8.2x8.2	100.0	50.0
63	117.0	63.5	10.0x10.0	100.0	57.0
76	129.0	76.2	10.0x10.0	100.0	64.5
89	140.0	88.9	10.0x10.0	100.0	70.0
102	160.0	101.6	10.0x10.0	108.0	80.0

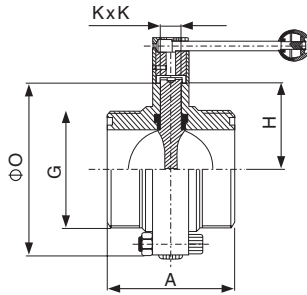


- ◆ Stainless Steel Sanitary Pipe Fitting
- ◆ Valve、Pump、Fluid Facility
- ◆ 不锈钢卫生级管件、阀门、泵、流体设备

卫生级阀门  
SANITARY VALVE

螺纹式蝶阀 Threaded butterfly valve

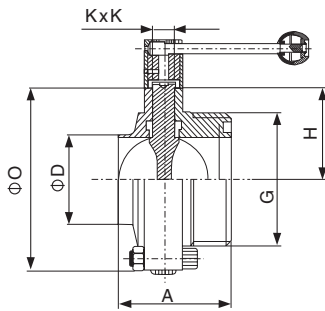
SMS | SBV12



Size	O	G	K x K	A	H
19	78.0	RD34x1/8	8.2x8.2	68.0	39.0
25	78.0	RD40x1/6	8.2x8.2	68.0	39.0
32	80.0	RD48x1/6	8.2x8.2	68.0	40.0
38	88.0	RD60x1/6	8.2x8.2	68.0	44.0
51	100.0	RD70x1/6	8.2x8.2	76.0	50.0
63	117.0	RD85x1/6	10.0x10.0	80.0	58.5
76	129.0	RD98x1/6	10.0x10.0	80.0	64.5
89	140.0	RD110x1/6	10.0x10.0	84.0	70.0
102小	160.0	RD125x1/6	10.0x10.0	90.0	80.0
102大	160.0	RD132x1/6	10.0x10.0	90.0	80.0

单焊单螺蝶阀 Welded/ Threaded butterfly valve

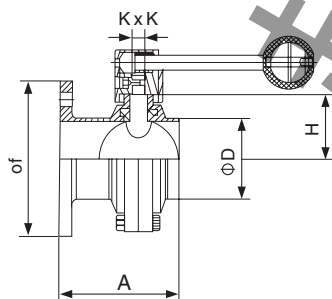
SMS | SBV13



Size	O	D	G	K x K	A	H
19	78.0	19.1	RD34x1/8	8.2x8.2	59.0	39.0
25	78.0	25.4	RD40x1/6	8.2x8.2	59.0	39.0
32	78.0	31.8	RD48x1/6	8.2x8.2	59.0	40.0
38	88.0	38.1	RD60x1/6	8.2x8.2	59.0	44.0
51	100.0	50.8	RD70x1/6	8.2x8.2	63.0	50.0
63	117.0	63.5	RD85x1/6	10.0x10.0	68.0	58.5
76	129.0	76.2	RD98x1/6	10.0x10.0	70.0	64.5
89	140.0	88.9	RD110x1/6	10.0x10.0	73.0	70.0
102小	160.0	101.6	RD125x1/6	10.0x10.0	78.0	80.0
102大	160.0	101.6	RD132x1/6	10.0x10.0	78.0	80.0

单四方法兰单焊接蝶阀 Square-flanged/ welded valve

SMS | SBV14



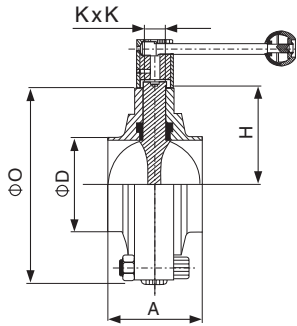
Size	O	D	of	A	K x K	H
19	78.0	19.1	100x100	75.0	8.2x8.2	39.0
25	78.0	25.2	100x100	75.0	8.2x8.2	39.0
32	80.0	31.8	100x100	75.0	8.2x8.2	40.0
38	80.0	38.1	100x100	75.0	8.2x8.2	40.0
51	100.0	50.8	100x100	75.0	8.2x8.2	50.0



- ◆ Stainless Steel Sanitary Pipe Fitting
- ◆ Valve、Pump、Fluid Facility
- ◆ 不锈钢卫生级管件、阀门、泵、流体设备

焊接式蝶阀 Welded butterfly valve

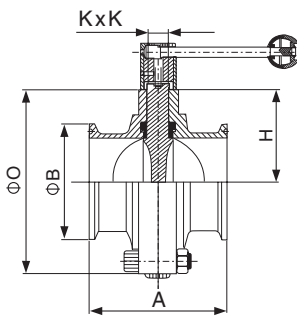
3A | SBV15



Size	O	D	K x K	A	H
1/2"	78.0	12.7	8.2x8.2	50.0	39.0
3/4"	78.0	19.1	8.2x8.2	50.0	39.0
1"	78.0	25.4	8.2x8.2	50.0	39.0
1 1/2"	80.0	38.1	8.2x8.2	50.0	40.0
2"	100.0	50.8	8.2x8.2	50.0	50.0
2 1/2"	117.0	63.5	10.0x10.0	56.0	58.5
3"	129.0	76.2	10.0x10.0	60.0	64.5
4"	160.0	101.6	10.0x10.0	66.0	80.0
6"	225.0	152.4	12.0x12.0	80.0	112.5
8"	285.0	203.2	14.0x14.0	90.0	142.5

卡箍式蝶阀 Clamed butterfly valve

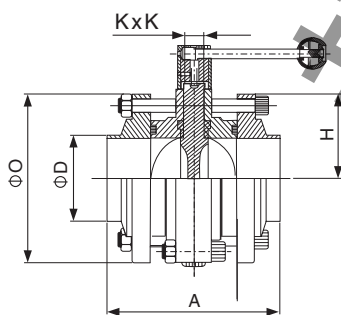
3A | SBV16



Size	O	B	K x K	A	H
1/2"	78.0	25.4	8.2x8.2	68.0	39.0
3/4"	78.0	25.4	8.2x8.2	68.0	39.0
1"	78.0	50.5	8.2x8.2	68.0	39.0
1 1/2"	80.0	50.5	8.2x8.2	72.0	40.0
2"	100.0	64.0	8.2x8.2	74.0	50.0
2 1/2"	117.0	77.5	10.0x10.0	80.0	58.5
3"	129.0	91.0	10.0x10.0	80.0	64.5
4"	160.0	119.0	10.0x10.0	90.0	80.0
5"	190.0	145.0	12.0x12.0	114.0	95.0
6"	225.0	167.0	12.0x12.0	120.0	112.5
8"	285.0	217.0	14.0x14.0	126.0	142.5

三片式蝶阀 Three-piece butterfly valve

3A | SBV17



Size	O	D	K x K	A	H
1/2"	78.0	12.7	8.2x8.2	100.0	39.0
3/4"	78.0	19.1	8.2x8.2	100.0	39.0
1"	78.0	25.4	8.2x8.2	100.0	39.0
1 1/2"	80.0	38.1	8.2x8.2	100.0	40.0
2"	100.0	50.8	8.2x8.2	100.0	50.0
2 1/2"	117.0	63.5	10.0x10.0	100.0	58.5
3"	129.0	76.2	10.0x10.0	100.0	64.5
4"	160.0	101.6	10.0x10.0	108.0	80.0
6"	225.0	152.4	12.0x12.0	120.0	112.5
8"	285.0	203.2	14.0x14.0	130.0	142.5

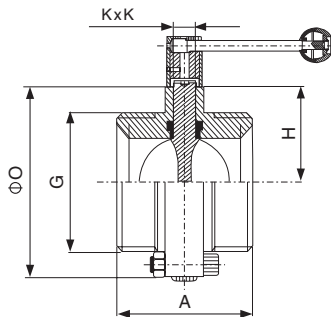


- ◆ Stainless Steel Sanitary Pipe Fitting
- ◆ Valve、Pump、Fluid Facility
- ◆ 不锈钢卫生级管件、阀门、泵、流体设备

卫生级阀门  
SANITARY VALVE

螺纹式蝶阀 Threaded butterfly valve

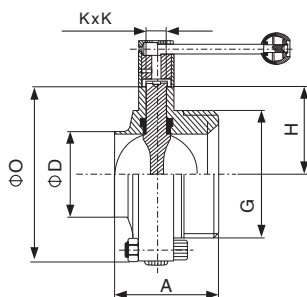
3A | SBV18



Size	O	G	K x K	A	H
1"	78.0	37.1x6TACME	8.2x8.2	68.0	39.0
1 1/2"	80.0	50.6x6TACME	8.2x8.2	68.0	40.0
2"	100.0	64.2x6TACME	8.2x8.2	76.0	50.0
2 1/2"	117.0	77.7x6TACME	8.2x8.2	80.0	58.5
3"	129.0	91.2x6TACME	10.0x10.0	80.0	64.5
4"	160.0	119.2x6TACME	10.0x10.0	90.0	80.0

单焊单螺蝶阀 Welded/ Threaded butterfly valve

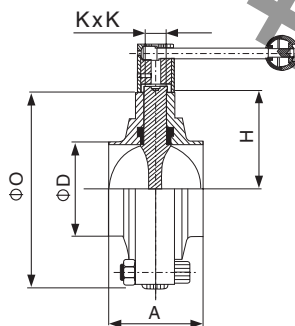
3A | SBV19



Size	O	D	G	K x K	A	H
1"	78.0	25.4	37.1x8TACME	8.2x8.2	59.0	39.0
1 1/2"	80.0	38.1	50.6x8TACME	8.2x8.2	59.0	40.0
2"	100.0	50.8	64.2x8TACME	8.2x8.2	63.0	50.0
2 1/2"	117.0	63.5	77.7x8TACME	10.0x10.0	68.0	58.5
3"	129.0	76.2	91.2x8TACME	10.0x10.0	70.0	64.5
4"	160.0	101.6	119.2x8TACME	10.0x10.0	78.0	80.0

焊接式蝶阀 Welded butterfly valve

ISO/IDF | SBV20



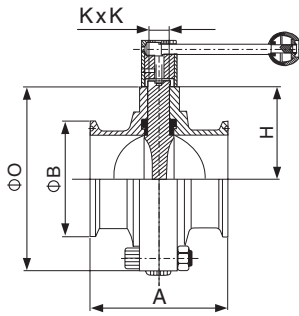
Size	O	D	K x K	A	H
Φ19	78.0	19.0	8.2x8.2	50.0	39.0
Φ25	78.0	25.4	8.2x8.2	50.0	39.0
Φ32	80.0	31.8	8.2x8.2	50.0	40.0
Φ38	80.0	38.1	8.2x8.2	50.0	40.0
Φ45	95.0	45.0	8.2x8.2	50.0	47.5
Φ51	100.0	50.8	8.2x8.2	50.0	50.0
Φ57	110.0	57.0	8.2x8.2	50.0	55.0
Φ63	117.0	63.5	10.0x10.0	56.0	58.5
Φ76	129.0	76.2	10.0x10.0	60.0	64.5
Φ89	140.0	89.0	10.0x10.0	62.0	70.0
Φ102	160.0	101.6	10.0x10.0	66.0	80.0
Φ108	160.0	108.0	10.0x10.0	66.0	80.0
Φ133	190.0	133.0	12.0x12.0	74.0	95.0
Φ159	225.0	159.0	12.0x12.0	80.0	112.5
Φ219	285.0	219.0	14.0x14.0	86.0	142.5



- ◆ Stainless Steel Sanitary Pipe Fitting
- ◆ Valve、Pump、Fluid Facility
- ◆ 不锈钢卫生级管件、阀门、泵、流体设备

卡箍式蝶阀 Clamped butterfly valve

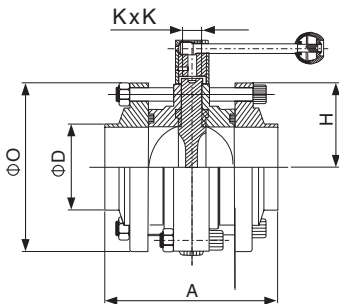
ISO/IDF | SBV21



Size	O	B	K x K	A	H
Φ19	78.0	25.4	8.2x8.2	68.0	39.0
Φ25	78.0	50.5	8.2x8.2	68.0	39.0
Φ32	80.0	50.5	8.2x8.2	72.0	40.0
Φ38	80.0	50.5	8.2x8.2	72.0	40.0
Φ45	95.0	64.0	8.2x8.2	72.0	47.5
Φ51	100.0	64.0	8.2x8.2	74.0	50.0
Φ57	110.0	77.5	8.2x8.2	74.0	55.0
Φ63	117.0	77.5	10.0x10.0	80.0	58.5
Φ76	129.0	91.0	10.0x10.0	80.0	64.5
Φ89	140.0	106.0	10.0x10.0	86.0	70.0
Φ102	160.0	119.0	10.0x10.0	90.0	80.0
Φ108	160.0	119.0	10.0x10.0	90.0	80.0
Φ133	190.0	145.0	12.0x12.0	114.0	95.0
Φ159	225.0	183.0	12.0x12.0	120.0	112.5
Φ219	285.0	233.5	14.0x14.0	126.0	142.5

三片式蝶阀 Three-piece butterfly valve

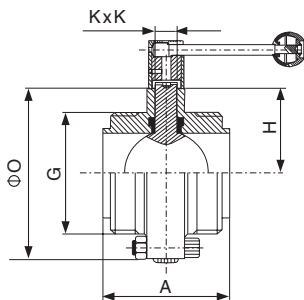
ISO/IDF | SBV22



Size	O	D	K x K	A	H
Φ19	78.0	19.0	8.2x8.2	100.0	39.0
Φ25	78.0	25.4	8.2x8.2	100.0	39.0
Φ32	80.0	31.8	8.2x8.2	100.0	40.0
Φ38	80.0	38.1	8.2x8.2	100.0	40.0
Φ45	95.0	45.0	8.2x8.2	100.0	47.5
Φ51	100.0	50.8	8.2x8.2	100.0	50.0
Φ57	110.0	57.0	8.2x8.2	104.0	55.0
Φ63	117.0	63.5	10.0x10.0	100.0	58.5
Φ76	129.0	76.2	10.0x10.0	100.0	64.5
Φ89	140.0	89.0	10.0x10.0	100.0	70.0
Φ102	160.0	101.6	10.0x10.0	108.0	80.0
Φ108	160.0	108.0	10.0x10.0	108.0	80.0
Φ133	190.0	133.0	12.0x12.0	114.0	95.0
Φ159	225.0	159.0	12.0x12.0	120.0	112.5
Φ219	285.0	219.0	14.0x14.0	130.0	142.5

螺纹式蝶阀 Threaded butterfly valve

ISO/IDF | SBV23



Size	O	G	K x K	A	H
1"	78.0	37.1x8TACME	8.0x8.0	66.0	39.0
1 1/2"	88.0	50.6x8TACME	8.0x8.0	70.0	43.0
2"	100.0	64.2x8TACME	10.0x10.0	76.0	51.0
2 1/2"	117.0	77.7x8TACME	10.0x10.0	80.0	57.5
3"	129.0	91.2x8TACME	10.0x10.0	84.0	64.0
4"	160.0	118.4x8TACME	11.0x11.0	104.0	77.0
4"	160.0	125.9x6TACME	11.0x11.0	104.0	77.0

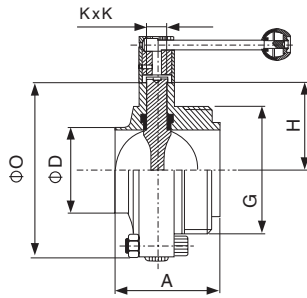


- ◆ Stainless Steel Sanitary Pipe Fitting
- ◆ Valve、Pump、Fluid Facility
- ◆ 不锈钢卫生级管件、阀门、泵、流体设备

卫生级阀门  
SANITARY VALVE

单焊单螺蝶阀 Welded/ Threaded butterfly valve

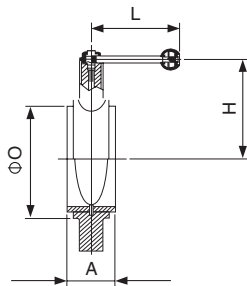
ISO/IDF SBV24



Size	O	D	G	K x K	A	H
1"	78.0	25.4	37.1x8TACME	8.2x8.2	57.0	39.0
1 1/2"	80.0	38.1	50.6x8TACME	8.2x8.2	57.0	44.0
2"	100.0	50.8	64.2x8TACME	8.2x8.2	63.0	50.0
2 1/2"	117.0	63.5	77.7x8TACME	10.0x10.0	68.0	58.5
3"	129.0	76.2	91.2x8TACME	10.0x10.0	70.0	64.5
4"	160.0	101.6	118.4x8TACME	10.0x10.0	78.0	80.0
4"	160.0	101.6	125.9x6TACME	10.0x10.0	78.0	80.0

D71对夹式蝶阀 Wafer butterfly valve

SBV25



Size	A	O	L	H
DN40	38.0	85.0	120.0	122.0
DN50	39.0	95.0	120.0	127.0
DN65	42.0	107.0	120.0	133.0
DN80	43.0	125.0	120.0	142.0
DN100	46.0	156.0	150.0	158.0
DN125	48.0	180.0	150.0	160.0
DN150	65.0	205.0	170.0	180.0
DN200	60.0	252.0	210.0	195.0

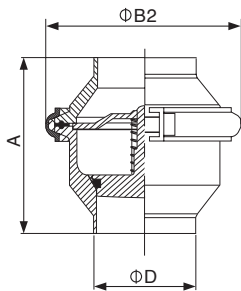




- ◆ Stainless Steel Sanitary Pipe Fitting
- ◆ Valve、Pump、Fluid Facility
- ◆ 不锈钢卫生级管件、阀门、泵、流体设备

焊接式止回阀 Welded check valve

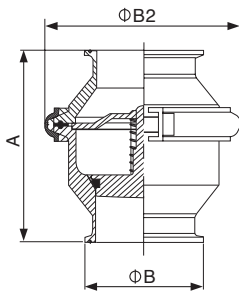
DIN | SCK01



Size	B2	D	A			
DN15	87.0	18.0	75.0			
DN20	87.0	22.0	75.0			
DN25	87.0	28.0	75.0			
DN32	87.0	34.0	75.0			
DN40	87.0	40.0	75.0			
DN50	100.0	52.0	80.0			
DN65	130.0	70.0	110.0			
DN80	155.0	85.0	115.0			
DN100	165.0	104.0	120.0			

卡箍式止回阀 Clamped check valve

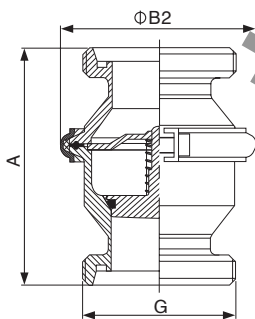
DIN | SCK02



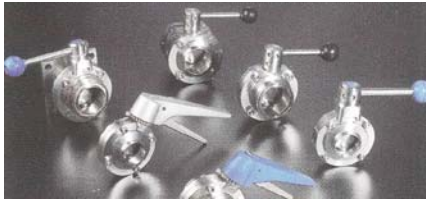
Size	B2	B	A			
DN15	87.0	50.5	105.0			
DN20	87.0	50.5	105.0			
DN25	87.0	50.5	105.0			
DN32	87.0	50.5	105.0			
DN40	87.0	50.5	105.0			
DN50	100.0	64.0	110.0			
DN65	130.0	91.0	145.0			
DN80	155.0	106.0	150.0			
DN100	165.0	119.0	155.0			

螺纹式止回阀 Threaded check valve

DIN | SCK03



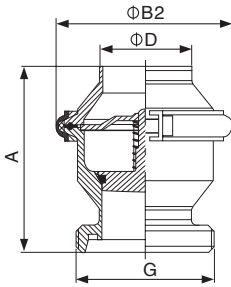
Size	B2	G	A			
DN15	87.0	RD34x1/8	111.0			
DN20	87.0	RD44x1/6	115.0			
DN25	87.0	RD52x1/6	117.0			
DN32	87.0	RD58x1/6	117.0			
DN40	87.0	RD65x1/6	117.0			
DN50	100.0	RD78x1/6	122.0			
DN65	130.0	RD95x1/6	156.0			
DN80	155.0	RD110x1/4	167.0			
DN100	165.0	RD130x1/4	176.0			



- ◆ Stainless Steel Sanitary Pipe Fitting
- ◆ Valve、Pump、Fluid Facility
- ◆ 不锈钢卫生级管件、阀门、泵、流体设备

单焊单螺式止回阀 Welded/ threaded check valve

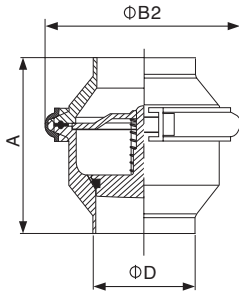
DIN | SCK04



Size	B2	G	D	A
DN15	87.0	RD34x1/8	18.0	93.0
DN20	87.0	RD44x1/6	22.0	95.0
DN25	87.0	RD52x1/6	28.0	96.0
DN32	87.0	RD58x1/6	34.0	96.0
DN40	87.0	RD65x1/6	40.0	96.0
DN50	100.0	RD78x1/6	52.0	101.0
DN65	130.0	RD95x1/6	70.0	133.0
DN80	155.0	RD110x1/4	85.0	141.0
DN100	165.0	RD130x1/4	104.0	148.0

焊接式止回阀 Welded check valve

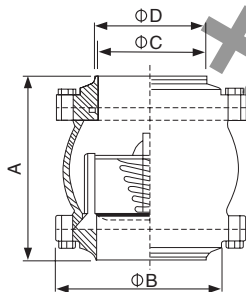
SMS | SCK05



Size	B2	D	A
19	87.0	19.1	75.0
25	87.0	25.4	75.0
32	87.0	31.8	75.0
38	87.0	38.1	75.0
51	100.0	50.8	80.0
63	115.0	63.5	100.0
76	130.0	76.2	115.0
89	155.0	89.0	115.0
102	165.0	101.6	120.0

球型止回阀 Ball-type check valve

SMS | SCK06



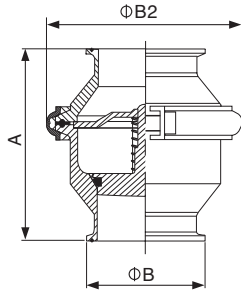
Size	A	B	C	D
DN40	115.0	100.0	38.0	41.0
DN50	125.0	110.0	50.0	53.0
DN65	135.0	130.0	66.0	70.0
DN80	145.0	146.0	81.0	85.0
DN100	155.0	166.0	100.0	104.0



- ◆ Stainless Steel Sanitary Pipe Fitting
- ◆ Valve、Pump、Fluid Facility
- ◆ 不锈钢卫生级管件、阀门、泵、流体设备

卡箍式止回阀 Clamped check valve

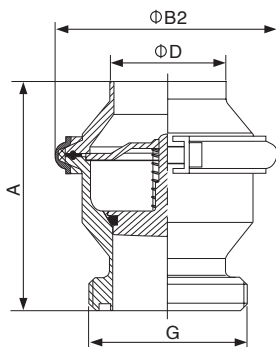
SMS | SCK07



Size	B2	D	A			
19	87.0	50.5	105.0			
25	87.0	50.5	105.0			
32	87.0	50.5	105.0			
38	87.0	50.5	105.0			
51	100.0	64.0	110.0			
63	115.0	77.5	135.0			
76	130.0	91.0	150.0			
89	155.0	106.0	150.0			
102	165.0	119.0	150.0			

单焊单螺式止回阀 Welded/ threaded check valve

SMS | SCK08



Size	B2	G	D	A		
19	87.0	RD34x1/8	19.1	91.0		
25	87.0	RD40x1/6	25.4	93.0		
32	87.0	RD48x1/6	31.8	95.0		
38	87.0	RD60x1/6	38.1	95.0		
51	100.0	RD70x1/6	50.8	101.0		
63	115.0	RD85x1/6	63.5	122.0		
76	130.0	RD98x1/6	76.2	139.0		
89	155.0	RD110x1/6	88.9	141.0		
102小	165.0	RD125x1/6	101.6	147.0		
102大	165.0	RD132x1/6	101.6	148.0		

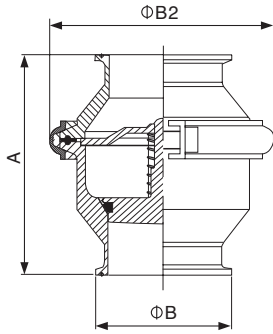
超



- ◆ Stainless Steel Sanitary Pipe Fitting
- ◆ Valve、Pump、Fluid Facility
- ◆ 不锈钢卫生级管件、阀门、泵、流体设备

卡箍式止回阀 Clamped check valve

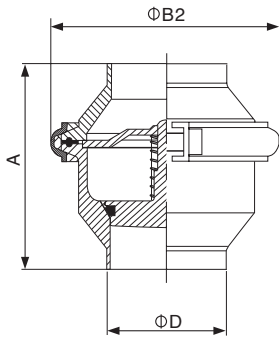
3A | SCK09



Size	B2	B	A			
1/2"	87.0	25.4	105.0			
3/4"	87.0	25.4	105.0			
1"	87.0	50.5	105.0			
1 1/2"	87.0	50.5	105.0			
2"	100.0	64.0	110.0			
2 1/2"	115.0	77.5	135.0			
3"	130.0	91.0	150.0			
4"	165.0	119.0	155.0			

焊接式止回阀 Welded check valve

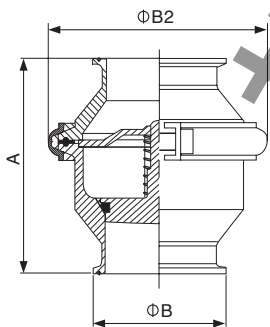
SMS/IDF | SCK10



Size	B2	D	A			
Φ19	87.0	19.0	75.0			
Φ25	87.0	25.4	75.0			
Φ32	87.0	32.0	75.0			
Φ38	87.0	38.1	75.0			
Φ45	100.0	45.0	75.0			
Φ51	100.0	50.8	80.0			
Φ57	100.0	57.0	80.0			
Φ63	115.0	63.5	100.0			
Φ76	130.0	76.2	115.0			
Φ89	155.0	88.9	115.0			
Φ102	165.0	101.6	120.0			
Φ108	165.0	108.0	120.0			

卡箍式止回阀 Clamped check valve

SMS/IDF | SCK11



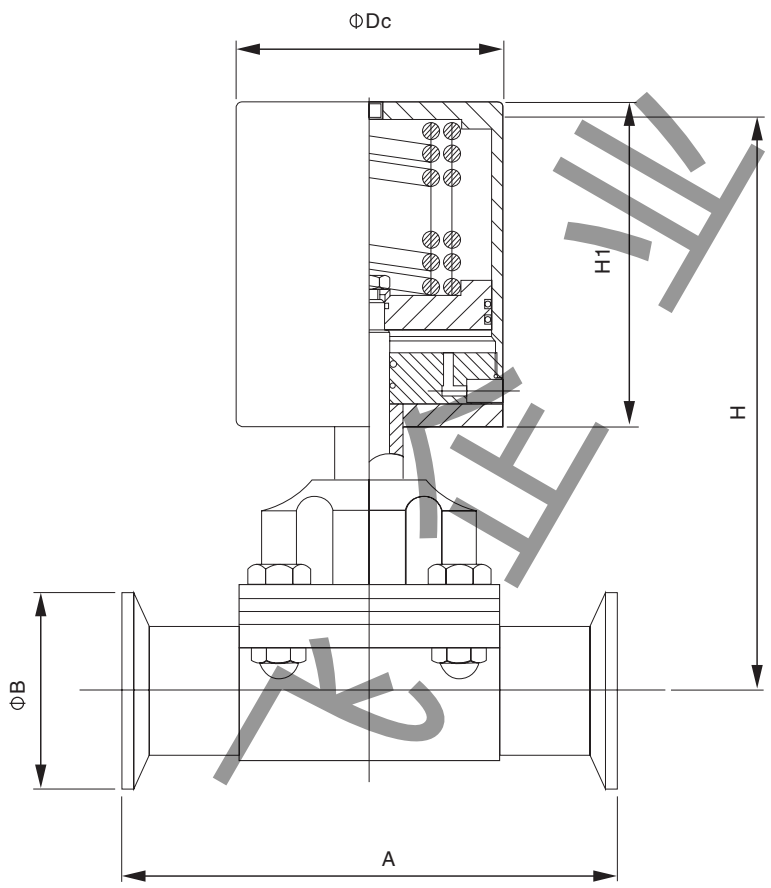
Size	B2	B	A			
Φ25	87.0	50.5	105.0			
Φ38	87.0	50.5	105.0			
Φ51	100.0	64.0	110.0			
Φ63	115.0	77.5	135.0			
Φ76	130.0	91.0	150.0			
Φ100	164.0	119.0	155.0			



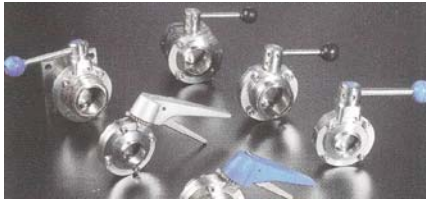
- ◆ Stainless Steel Sanitary Pipe Fitting
- ◆ Valve、Pump、Fluid Facility
- ◆ 不锈钢卫生级管件、阀门、泵、流体设备

气动隔膜阀 Pneumatic diaphragm valve

3A | SDV01



Size	A	B	H	H1	Dc		
1/2"	107.0	25.4	156.3	98.0	63.5		
3/4"	116.0	25.4	160.0	98.0	63.5		
1"	125.0	50.5	176.0	98.0	63.5		
1 1/2"	158.0	50.5	207.0	120.0	85.0		
2"	190.0	64.0	213.4	120.0	85.0		

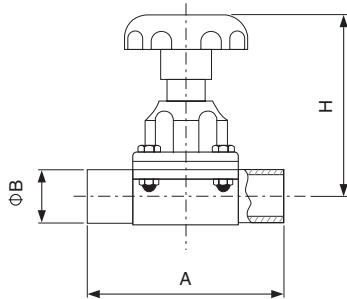


- ◆ Stainless Steel Sanitary Pipe Fitting
- ◆ Valve、Pump、Fluid Facility
- ◆ 不锈钢卫生级管件、阀门、泵、流体设备

SANITARY VALVE  
卫生级阀门

焊接式隔膜阀 Welded diaphragm valve

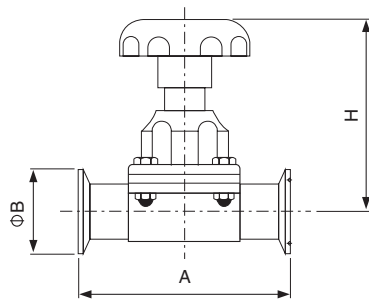
DIN | SDV02



Size	A	D	H		
DN15	100.0	18.0	88/99		
DN25	125.0	28.0	110/123		
DN32	140.0	34.0	129/138		
DN40	150.0	40.0	139/159		
DN50	180.0	52.0	159/186		

卡箍式隔膜阀 Clamped diaphragm valve

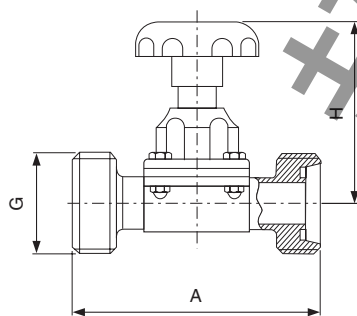
DIN | SDV03



Size	A	B	H		
DN15	107.0	34.0	88/99		
DN20	116.0	34.0	91/102		
DN25	125.0	50.5	110/123		
DN32	146.0	50.5	129/138		
DN40	158.0	50.5	139/159		
DN50	190.0	64.0	159/186		

螺纹式隔膜阀 Threaded diaphragm valve

DIN | SDV04



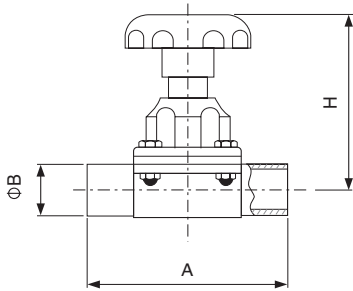
Size	A	G	H		
DN20	153.0	RD44x1/6	91/102		
DN25	165.0	RD52x1/6	110/123		
DN32	180.0	RD58x1/6	129/138		
DN40	190.0	RD65x1/6	139/159		
DN50	222.0	RD78x1/6	159/186		



- ◆ Stainless Steel Sanitary Pipe Fitting
- ◆ Valve、Pump、Fluid Facility
- ◆ 不锈钢卫生级管件、阀门、泵、流体设备

焊接式隔膜阀 Welded diaphragm valve

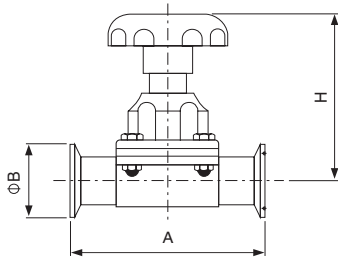
SMS | SDV05



Size	A	D	H		
25	125.0	25.4	110/123		
32	140.0	31.8	129/138		
38	150.0	38.1	139/159		
51	180.0	50.8	159/186		

卡箍式隔膜阀 Clamped diaphragm valve

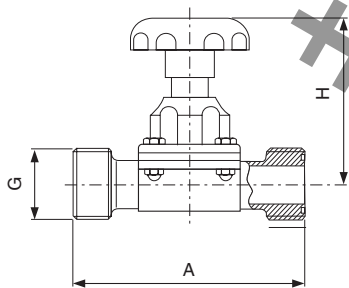
SMS | SDV06



Size	A	B	H		
25	125.0	50.5	110/123		
32	146.0	50.5	129/138		
38	158.0	50.5	139/159		
51	190.0	64.0	159/186		

螺纹式隔膜阀 Threaded diaphragm valve

SMS | SDV07



Size	A	B	H		
25	161.0	RD40x1/6	110/123		
32	176.0	RD48x1/6	129/138		
38	190.0	RD60x1/6	139/159		
51	220.0	RD70x1/6	159/186		

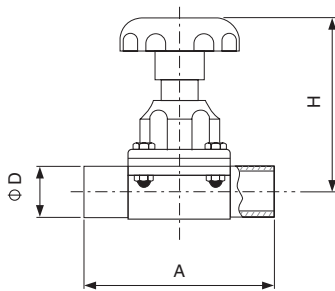


- ◆ Stainless Steel Sanitary Pipe Fitting
- ◆ Valve、Pump、Fluid Facility
- ◆ 不锈钢卫生级管件、阀门、泵、流体设备

卫生级阀门  
SANITARY VALVE

焊接式隔膜阀 Welded diaphragm valve

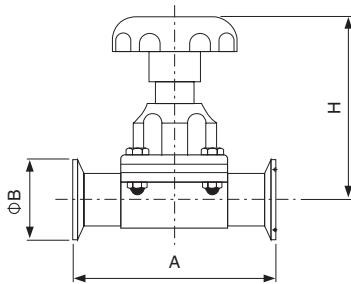
3A | SDV08



Size	A	D	H		
1/2"	100.0	12.7	88/99		
3/4"	100.0	19.0	88/99		
1"	125.0	25.4	110/123		
1 1/4"	140.0	31.8	129/138		
1 1/2"	150.0	38.1	139/159		
2"	180.0	50.8	159/186		

卡箍式隔膜阀 Clamped diaphragm valve

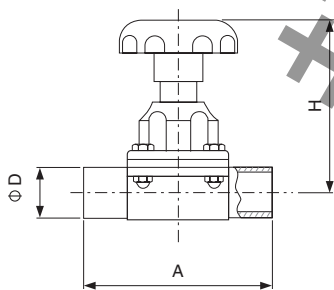
3A | SDV09



Size	A	B	H		
1/2"	107.0	25.4	88/99		
3/4"	116.0	25.4	91/102		
1"	125.0	50.5	110/123		
1 1/2"	158.0	50.5	139/159		
2"	190.0	64.0	159/186		

焊接式隔膜阀 Welded diaphragm valve

ISO/IDF | SDV10



Size	A	D	H		
3/4"	100.0	19.0	88/99		
1"	125.0	25.4	110/123		
1 1/4"	140.0	31.8	129/138		
1 1/2"	150.0	38.1	139/159		
2"	180.0	50.8	159/186		

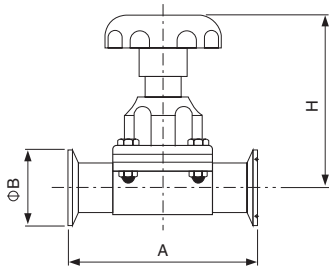




- ◆ Stainless Steel Sanitary Pipe Fitting
- ◆ Valve、Pump、Fluid Facility
- ◆ 不锈钢卫生级管件、阀门、泵、流体设备

卡箍式隔膜阀 Clamped diaphragm valve

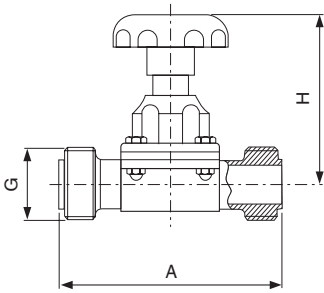
ISO/IDF | SDV11



Size	A	D	H		
3/4"	116.0	25.4	88/99		
1"	125.0	50.5	110/123		
1 1/4"	146.0	50.5	129/138		
1 1/2"	158.0	50.5	139/159		
2"	190.0	64.0	159/186		

螺纹式隔膜阀 Threaded diaphragm valve

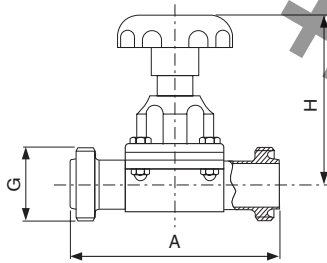
ISO/IDF | SDV12



Size	A	G	H		
1"	168.0	37.1x8TACME	110/123		
1 1/2"	193.0	50.6x8TACME	139/159		
2"	223.0	64.2x8TACME	159/186		

螺纹式隔膜阀 Threaded diaphragm valve

RJT | SDV13



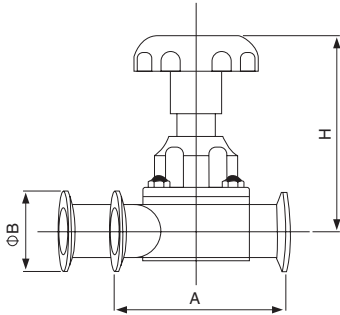
Size	A	G	H		
1"	179.0	45.7x1/8TWHIT	110/123		
1 1/2"	204.0	58.4x1/8TWHIT	139/159		
2"	234.0	72.7x1/6TWHIT	159/186		



- ◆ Stainless Steel Sanitary Pipe Fitting
- ◆ Valve、Pump、Fluid Facility
- ◆ 不锈钢卫生级管件、阀门、泵、流体设备

U型三通隔膜阀 U-type three-way diaphragm valve

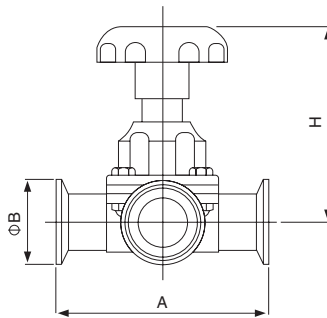
SDV14



Size	A	B	H		
1"	255.0	50.5	110/123		
1 1/4"	303.0	50.5	129/138		
1 1/2"	319.0	50.5	139/159		
2"	368.0	64.0	159/186		

三通隔膜阀 Three-way diaphragm valve

SDV15



Size	A	B	H		
1"	129.0	50.5	110/123		
1 1/4"	147.0	50.5	129/138		
1 1/2"	159.0	50.5	139/159		
2"	190.0	64.0	159/186		

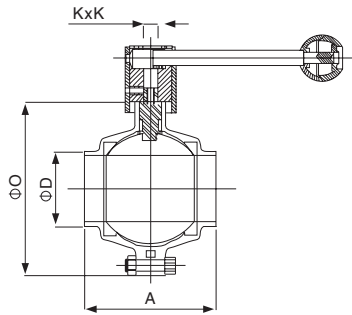
超



- ◆ Stainless Steel Sanitary Pipe Fitting
- ◆ Valve、Pump、Fluid Facility
- ◆ 不锈钢卫生级管件、阀门、泵、流体设备

**焊接式蝶式球阀 Welded butterfly-type ball valve**

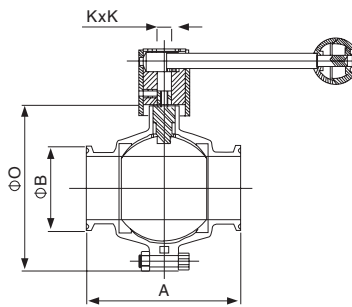
DIN BV01



Size	A	O	D	K x K
DN15	66.0	78.0	18.0	8x8
DN20	66.0	86.0	22.0	8x8
DN25	70.0	90.0	28.0	10x10
DN32	70.0	90.0	34.0	10x10
DN40	70.0	102.0	40.0	11x11
DN50	94.0	124.0	52.0	11x11

**卡箍蝶式球阀 Clamped butterfly-type ball valve**

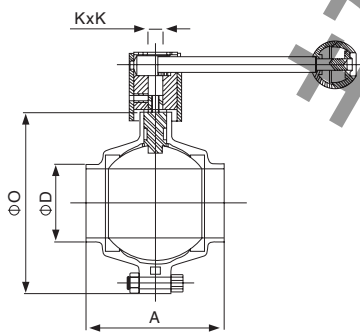
DIN BV02



Size	A	O	B	K x K
DN15	91.0	78.0	34.0	8x8
DN20	91.0	86.0	34.0	8x8
DN25	95.0	90.0	50.5	10x10
DN32	95.0	90.0	50.5	10x10
DN40	95.0	102.0	50.5	11x11
DN50	119.0	124.0	64.0	11x11

**焊接式蝶式球阀 Welded butterfly-type ball valve**

SMS BV03



Size	A	O	D	K x K
1"	66.0	86.0	25.4	8x8
1 1/4"	70.0	90.0	32.0	10x10
1 1/2"	70.0	102.0	38.1	11x11
2"	94.0	124.0	50.8	11x11

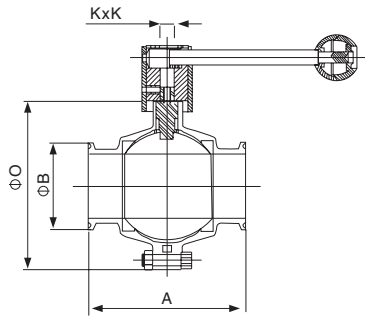


- ◆ Stainless Steel Sanitary Pipe Fitting
- ◆ Valve、Pump、Fluid Facility
- ◆ 不锈钢卫生级管件、阀门、泵、流体设备

卫生级阀门  
SANITARY VALVE

卡箍蝶式球阀 Clamped butterfly-type ball valve

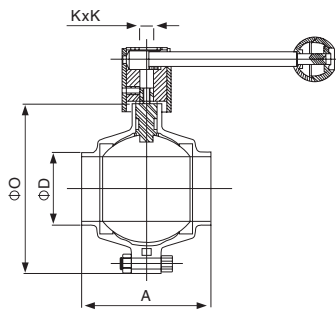
SMS | BV04



Size	A	O	B	K x K
1"	91.0	86.0	50.5	8x8
1 1/4"	95.0	90.0	50.5	10x10
1 1/2"	95.0	102.0	50.5	11x11
2"	119.0	124.0	64.0	11x11

焊接式蝶式球阀 Welded butterfly-type ball valve

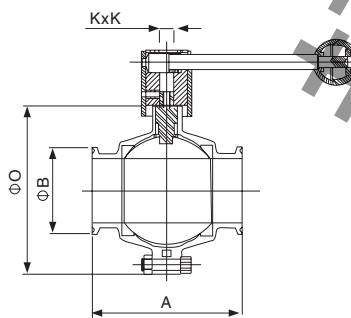
3A | BV05



Size	A	O	D	K x K
1/2"	66.0	78.0	12.7	8x8
3/4"	66.0	78.0	19.1	8x8
1"	66.0	86.0	25.4	8x8
1 1/2"	70.0	102.0	38.1	11x11
2"	94.0	124.0	50.8	11x11

卡箍蝶式球阀 Clamped butterfly-type ball valve

3A | BV06



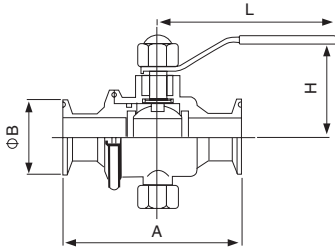
Size	A	O	B	K x K
1/2"	91.0	78.0	25.4	8x8
3/4"	91.0	78.0	25.4	8x8
1"	91.0	86.0	50.5	8x8
1 1/2"	95.0	102.0	50.5	11x11
2"	119.0	124.0	64.0	11x11



- ◆ Stainless Steel Sanitary Pipe Fitting
- ◆ Valve、Pump、Fluid Facility
- ◆ 不锈钢卫生级管件、阀门、泵、流体设备

卡箍式无滞留球阀 Clamped non-retention ball valve

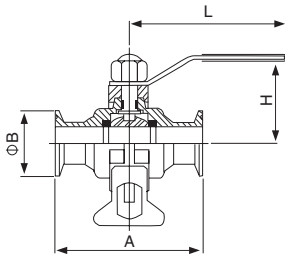
DIN 3A ISO BV07



Size		A	B	H	L
3/4"	19	105.0	25.4	55.0	125.0
1"	25	125.0	50.5	55.0	140.0
1 1/4"	32	132.0	50.5	65.0	150.0
1 1/2"	38	140.0	50.5	65.0	160.0
2"	51	159.0	64.0	85.0	180.0
2 1/2"	63	180.0	77.5	100.0	200.0

卡箍式无滞留球阀 Clamped non-retention ball valve

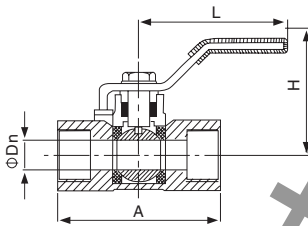
SMS 3A ISO BV08



Size		A	B	H	L
3/4"	19	90.0	25.4	65.0	105.0
1"	25	110.0	50.5	70.0	105.0
1 1/4"	32	120.0	50.5	80.0	130.0
1 1/2"	38	140.0	50.5	80.0	150.0
2"	51	164.0	64.0	85.0	160.0
2 1/4"	57	170.0	77.5	110.0	180.0
2 1/2"	63	180.0	77.5	110.0	180.0

一片式球阀 One-piece ball valve

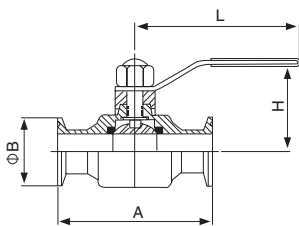
BV09



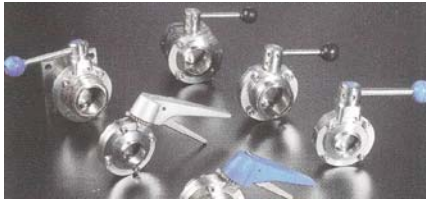
Size	A	Dn	H	L
1/2"	58.0	9.2	43.5	90.0
3/4"	60.0	12.5	47.0	90.0
1"	72.0	15.0	50.0	103.0
1 1/4"	78.0	20.0	57.0	103.0
1 1/2"	83.0	24.5	69.0	127.0
2"	100.0	32.0	74.5	127.0

二片式卡箍球阀 Two-piece clamped ball valve

SMS 3A ISO BV10



Size		A	B	H	L
3/4"	19	95.0	50.5	55.0	105.0
1"	25	115.0	50.5	55.0	105.0
1 1/4"	32	120.0	50.5	65.0	130.0
1 1/2"	38	140.0	50.5	65.0	150.0
2"	51	165.0	64.0	85.0	160.0

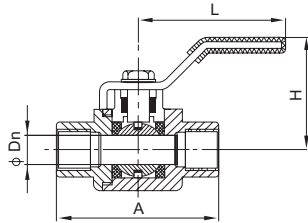


- ◆ Stainless Steel Sanitary Pipe Fitting
- ◆ Valve、Pump、Fluid Facility
- ◆ 不锈钢卫生级管件、阀门、泵、流体设备

卫生级阀门  
SANITARY VALVE

### 二片式球阀 Two-piece ball valve

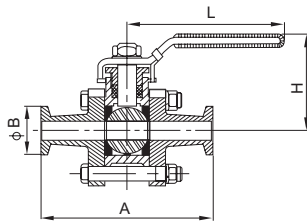
BV11



Size	A	Dn	H	L
1/2"	65.0	15.0	60.0	130.0
3/4"	75.0	20.0	64.0	130.0
1"	88.0	25.0	71.0	165.0
1 1/4"	102.0	32.0	78.0	165.0
1 1/2"	110.0	38.0	86.0	190.0
2"	125.0	50.0	95.0	190.0
2 1/2"	162.0	65.0	130.0	250.0
3"	189.0	80.0	148.0	250.0
4"	260.0	100.0	180.0	280.0

### 三片式卡箍球阀 Three-piece clamped ball valve

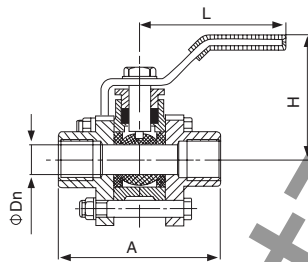
BV12



Size	A	B	H	L
1/2"	75.0	25.0	64.0	125.0
3/4"	90.0	50.5	67.0	125.0
1"	100.0	50.5	83.0	140.0
1 1/4"	110.0	50.5	89.0	140.0
1 1/2"	125.0	50.5	100.0	200.0
2"	150.0	64.0	108.0	200.0
2 1/2"	190.0	77.5	150.0	250.0
3"	220.0	91.0	161.0	250.0
4"	270.0	119.0	180.0	290.0

### 三片式内螺纹球阀 Three-piece female threaded ball valve

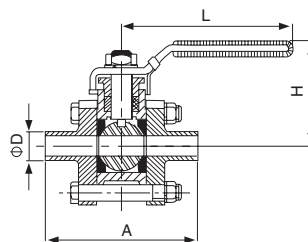
BV13



Size	Dn	A	H	L
1/2"	15.0	130.0	130.0	72.0
3/4"	20.0	130.0	130.0	85.0
1"	25.0	165.0	165.0	90.0
1 1/4"	32.0	165.0	165.0	112.0
1 1/2"	38.0	190.0	190.0	120.0
2"	50.0	190.0	190.0	145.0
2 1/2"	65.0	250.0	250.0	185.0
3"	80.0	250.0	250.0	210.0
4"	100.0	280.0	280.0	268.0

### 三片式焊接式球阀 Three-piece welded ball valve

BV14



Size	A	D	H	L
1/2"	72.0	22.7	60.0	130.0
3/4"	85.0	27.5	64.0	130.0
1"	90.0	33.5	71.0	165.0
1 1/4"	112.0	42.0	78.0	165.0
1 1/2"	120.0	48.6	86.0	190.0
2"	145.0	60.5	95.0	190.0
2 1/2"	185.0	76.3	130.0	250.0
3"	215.0	90.0	148.0	250.0
4"	270.0	106.5	173.0	280.0